

UVC Surface - Installation Instructions

Models SUR-30-SO-SA-B-INT

Please read all instructions prior to installation and keep for future reference!

1. PRODUCT TO BE INSTALLED BY A QUALIFIED ELECTRICIAN
2. USE WITH COMPATIBLE CLASS 2 OR CLASS P POWER UNIT
3. 120 - 277V AC
4. SUITABLE FOR WET LOCATIONS
5. SURFACE MOUNT ONLY
6. SUITABLE FOR WALL MOUNT ONLY
7. TYPE IC
8. GERMICIDAL PRODUCT EMITS UVC RADIANCE. TURN POWER OFF AND WEAR PROTECTIVE GEAR.
9. MUST BE USED IN CONJUNCTION WITH A UL RATED CONTROL SYSTEM.

REV3.7
04192021

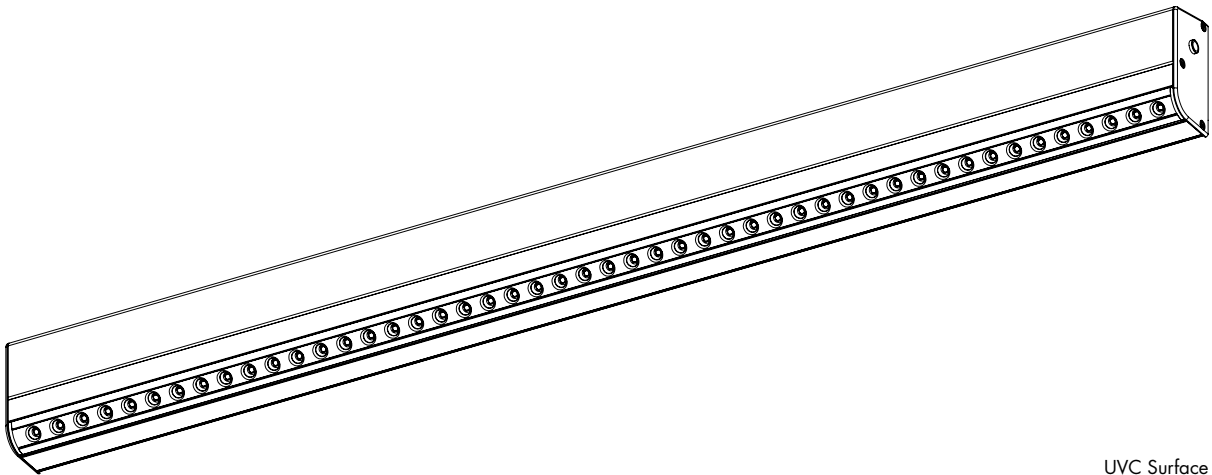
1 / 6



7777 Merrimac Ave
Niles, IL 60714
T 224.333.6033
F 224.757.7557
info@luminii.com
www.luminii.com

Required Personal Protection Equipment!

Please make sure all skin is covered by clothing when working with UVC Lighting. Clothing, such as a lab coat and/or protective sleeves should be polyester, nylon or cotton and should be worn. In addition, an ANSI Z87.1/CSA Z94.3 face shield and nitrile disposable gloves are minimum requirements.



UVC Surface

UVC Surface - Installation Instructions

Models SUR-30-SO-SA-B-INT



7777 Merrimac Ave
Niles, IL 60714
T 224.333.6033
F 224.757.7557
info@luminii.com
www.luminii.com

Please read all instructions prior to installation and keep for future reference!

1. PRODUCT TO BE INSTALLED BY A QUALIFIED ELECTRICIAN
2. USE WITH COMPATIBLE CLASS 2 OR CLASS P POWER UNIT
3. 120 - 277V AC
4. SUITABLE FOR WET LOCATIONS
5. SURFACE MOUNT ONLY
6. SUITABLE FOR WALL MOUNT ONLY
7. TYPE IC
8. GERMICIDAL PRODUCT EMITS UVC RADIANCE. TURN POWER OFF AND WEAR PROTECTIVE GEAR.
9. MUST BE USED IN CONJUNCTION WITH A UL RATED CONTROL SYSTEM.

REV3.7
04192021

2 / 6

1

Complete Parts List:

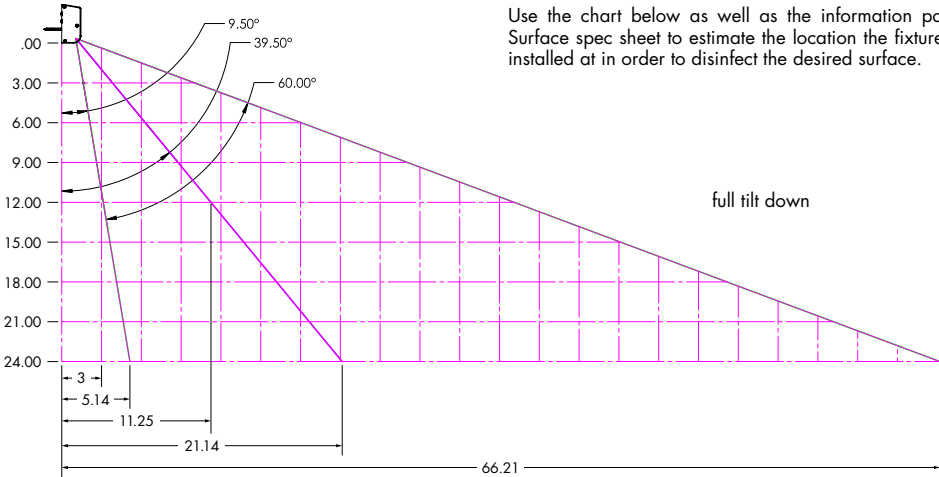
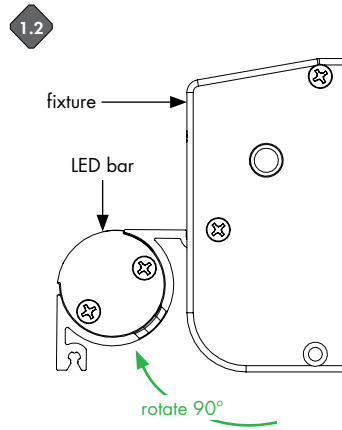
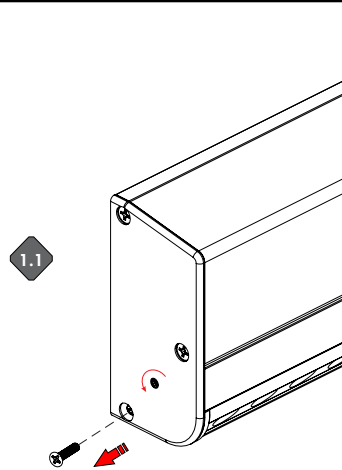
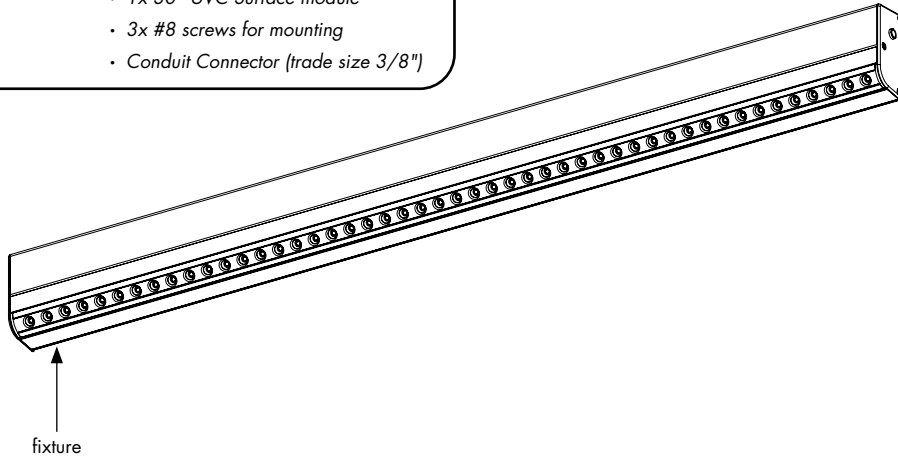
- 1x 30" UVC Surface module
- 3x #8 screws for mounting
- Conduit Connector (trade size 3/8")

NOTE: Using a level, install UVC surface fixture on a flat vertical wall.

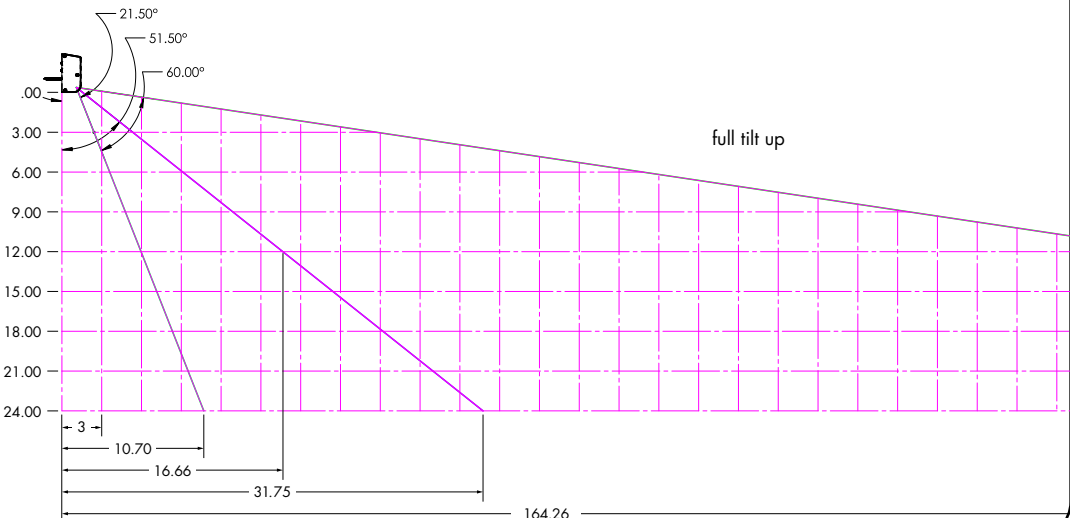
NOTE: Prior to installing the fixture, power wires must be present near fixture installation and connected to previously installed control system.

NOTE: make sure fixture will be mounted so that the desired surface to be cleansed is within range of the chart.

- 1.1** Remove the two lower end cap screws (Stainless Steel Phillips Flat Head Screw, 4-40, 1/2" Long), one on each side (left and right). Do not fully remove the endcaps, they are factory sealed. Loosen the #4-40 LED bar rotation set screw.
- 1.2** Carefully, rotate the LED bar 90° and disconnect the waterproof connector. Then place LED bar in a safe place to avoid any damage.



Use the chart below as well as the information posted in UVC Surface spec sheet to estimate the location the fixture needs to be installed at in order to disinfect the desired surface.



UVC Surface - Installation Instructions

Models SUR-30-SO-SA-B-INT



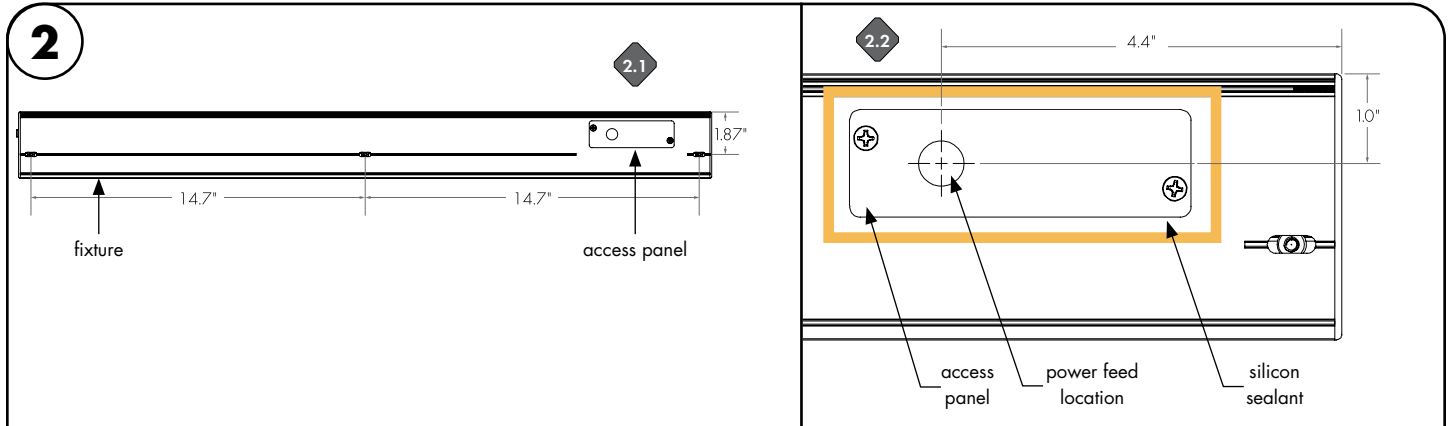
7777 Merrimac Ave
Niles, IL 60714
T 224.333.6033
F 224.757.7557
info@luminii.com
www.luminii.com

Please read all instructions prior to installation and keep for future reference!

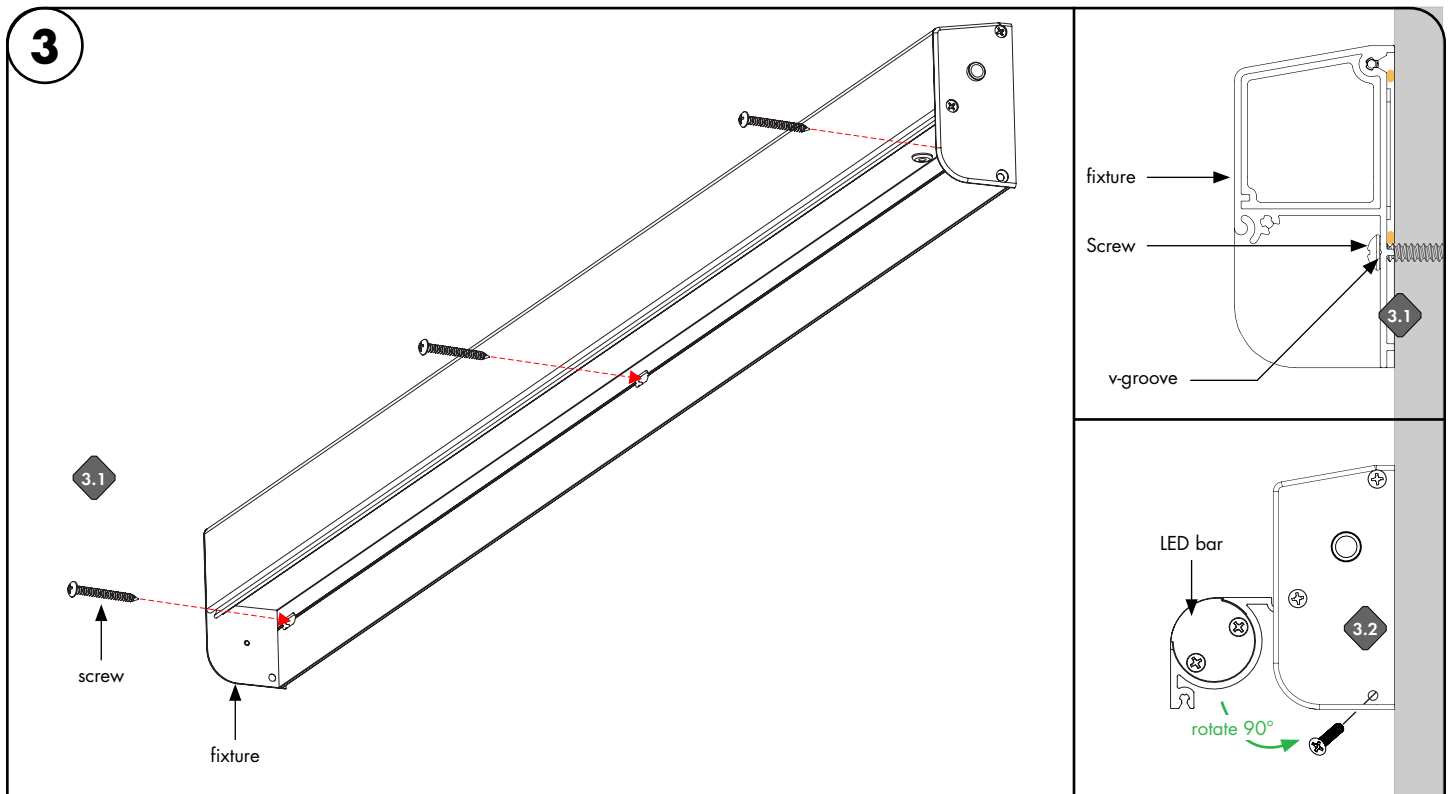
1. PRODUCT TO BE INSTALLED BY A QUALIFIED ELECTRICIAN
2. USE WITH COMPATIBLE CLASS 2 OR CLASS P POWER UNIT
3. 120 – 277V AC
4. SUITABLE FOR WET LOCATIONS
5. SURFACE MOUNT ONLY
6. SUITABLE FOR WALL MOUNT ONLY
7. TYPE IC
8. GERMICIDAL PRODUCT EMITS UVC RADIANCE. TURN POWER OFF AND WEAR PROTECTIVE GEAR.
9. MUST BE USED IN CONJUNCTION WITH A UL RATED CONTROL SYSTEM.

REV3.7
04192021

3 / 6



- 2.1** Wiring is accessible by removing the 2 screws on the access panel. Connect the line voltage conduit to the access panel and make the necessary wiring following national & local electrical codes. For additional information reference wiring diagram on page 4. Secure the access panel back onto the housing with the 2 screws. *Note*, the access panel can be rotated 180 degrees to move the power feed location.
- 2.2** Apply silicone sealant all around the access panel, to avoid any water from coming inside the fixture. Ensure adequate amount of sealant if mounting to rough or uneven surfaces.



- 3.1** Place the fixture on the wall, then using a level make sure it sits straight. Secure using the #8 screw size into the pre-drilled slots on the channel. (Minimum of 3 hole drill locations, spaced evenly apart. *If pre-drilled slots not applicable, fasten screws to the v-groove on the channel.*)
- 3.2** Carefully, reconnect the terminal connections for the LED bar to the housing. Followed by re-hooking the LED bar into housing, and secure using the endcap screw at the end of the fixture.

UVC Surface - Installation Instructions

Models SUR-30-SO-SA-B-INT



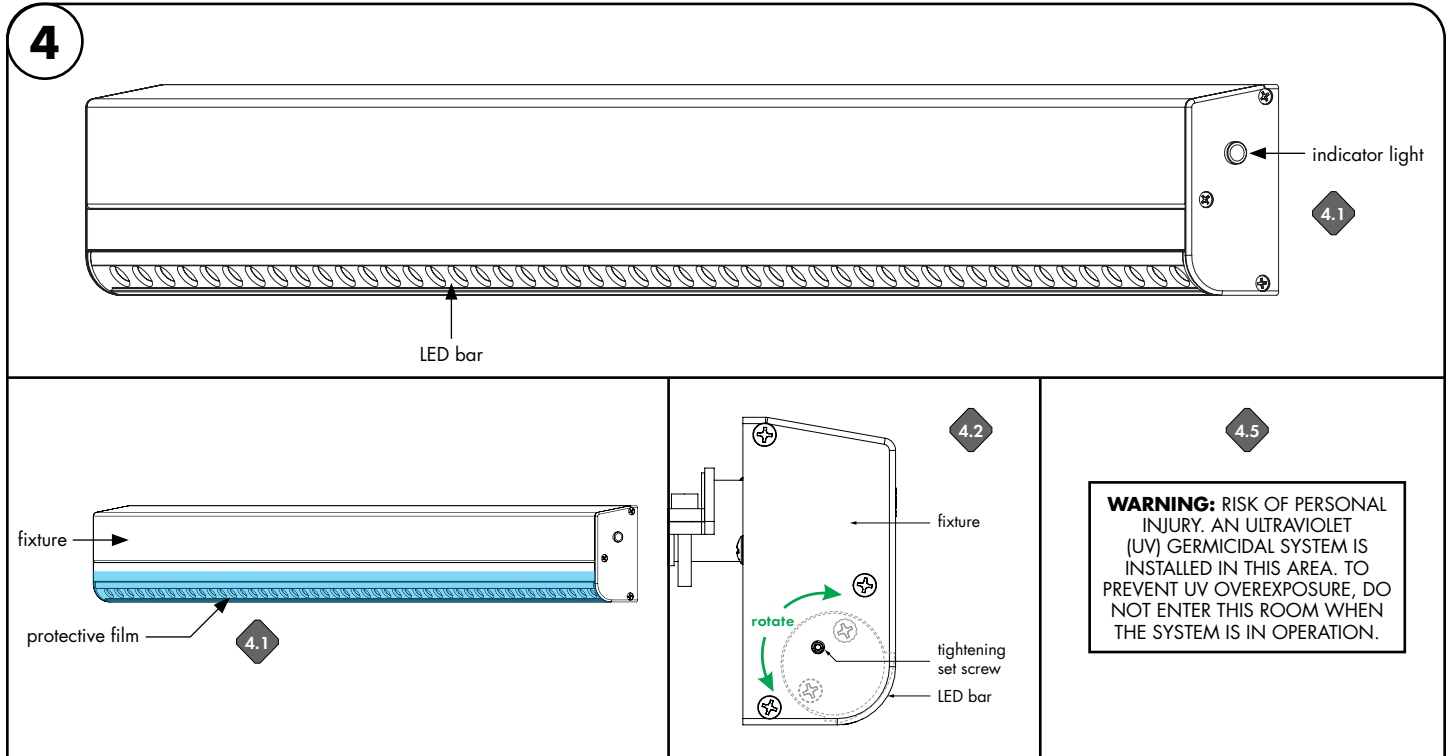
7777 Merrimac Ave
Niles, IL 60714
T 224.333.6033
F 224.757.7557
info@luminii.com
www.luminii.com

Please read all instructions prior to installation and keep for future reference!

1. PRODUCT TO BE INSTALLED BY A QUALIFIED ELECTRICIAN
2. USE WITH COMPATIBLE CLASS 2 OR CLASS P POWER UNIT
3. 120 - 277V AC
4. SUITABLE FOR WET LOCATIONS
5. SURFACE MOUNT ONLY
6. SUITABLE FOR WALL MOUNT ONLY
7. TYPE IC
8. GERMICIDAL PRODUCT EMITS UVC RADIANCE. TURN POWER OFF AND WEAR PROTECTIVE GEAR.
9. MUST BE USED IN CONJUNCTION WITH A UL RATED CONTROL SYSTEM.

REV3.7
04192021

4 / 6

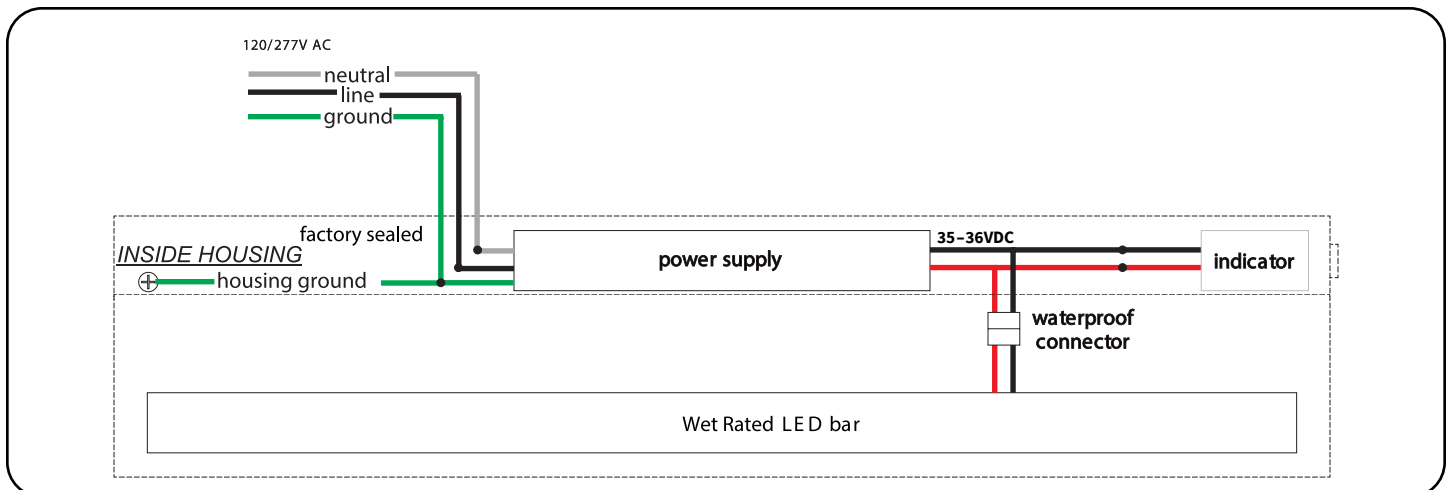


NOTE: REFER TO CONTROL SYSTEM SETUP/TESTING PROTOCOLS FOR TESTING IN OCCUPIED SPACE.

- 4.1 Remove the protective film from the front of the fixture.
- 4.2 Place meter sensor on center of surface you want the fixture to disinfect.
- 4.3 Refer to control system bypass sequence for commissioning while space is occupied for set up.
- 4.4 Turn on fixture and fine tune the LED bar rotation angle to ensure peak of beam is in desired position. You can rotate the LED bar by hand and tighten it using the set screw on the end cap.
- 4.5 Log beam intensity for maintenance plan fixture depreciation/degradation tracking.
- 4.6 Once fixture has been tested and is in working order, place warning label adjacent to entrances of the room.

WARNING: RED INDICATOR ILLUMINATION INDICATES FIXTURE EMITTING FULL FIXTURE UV POWER.

Typical - Wiring Diagram



UVC Surface - Installation Instructions

Models SUR-30-SO-SA-B-INT



7777 Merrimac Ave
Niles, IL 60714
T 224.333.6033
F 224.757.7557
info@luminii.com
www.luminii.com

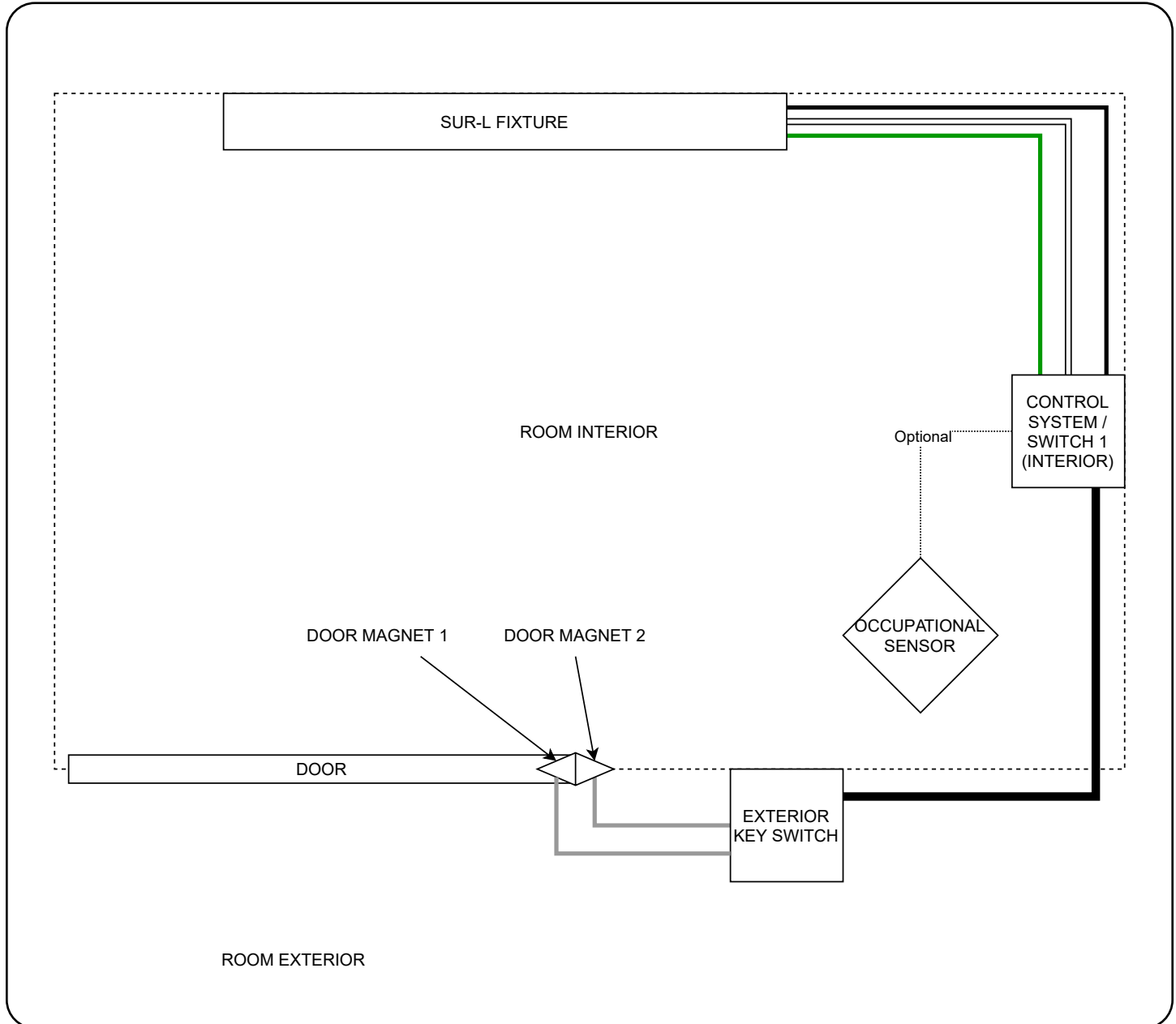
Please read all instructions prior to installation and keep for future reference!

1. PRODUCT TO BE INSTALLED BY A QUALIFIED ELECTRICIAN
2. USE WITH COMPATIBLE CLASS 2 OR CLASS P POWER UNIT
3. 120 - 277V AC
4. SUITABLE FOR WET LOCATIONS
5. SURFACE MOUNT ONLY
6. SUITABLE FOR WALL MOUNT ONLY
7. TYPE IC
8. GERMICIDAL PRODUCT EMITS UVC RADIANCE. TURN POWER OFF AND WEAR PROTECTIVE GEAR.
9. MUST BE USED IN CONJUNCTION WITH A UL RATED CONTROL SYSTEM.

REV3.7
04192021

5 / 6

Typical - Control System Wiring Diagram



UVC Surface - Installation Instructions

Models SUR-30-SO-SA-B-INT



7777 Merrimac Ave
Niles, IL 60714
T 224.333.6033
F 224.757.7557
info@luminii.com
www.luminii.com

Please read all instructions prior to installation and keep for future reference!

1. PRODUCT TO BE INSTALLED BY A QUALIFIED ELECTRICIAN
2. USE WITH COMPATIBLE CLASS 2 OR CLASS P POWER UNIT
3. 120 - 277V AC
4. SUITABLE FOR WET LOCATIONS
5. SURFACE MOUNT ONLY
6. SUITABLE FOR WALL MOUNT ONLY
7. TYPE IC
8. GERMICIDAL PRODUCT EMITS UVC RADIANCE. TURN POWER OFF AND WEAR PROTECTIVE GEAR.
9. MUST BE USED IN CONJUNCTION WITH A UL RATED CONTROL SYSTEM.

REV3.7
04192021

6 / 6

Typical - Maintenance

5

- 5.1** Clean regularly with non abrasive cleaning agent, handle with care.
- 5.2** Make sure beam position still highlights the area you want disinfected. Put on personal protective equipment, turn on the fixture, and use white paper to test the beam location based on the chart on the first page.