

AER-W, Remote Power Supply - Installation Instructions

Models AER-W-XX-R



REV. 4.1
06022021



7777 Merrimac Ave
Niles, IL 60714
T 224.333.6033
F 224.757.7557
info@luminii.com
www.luminii.com

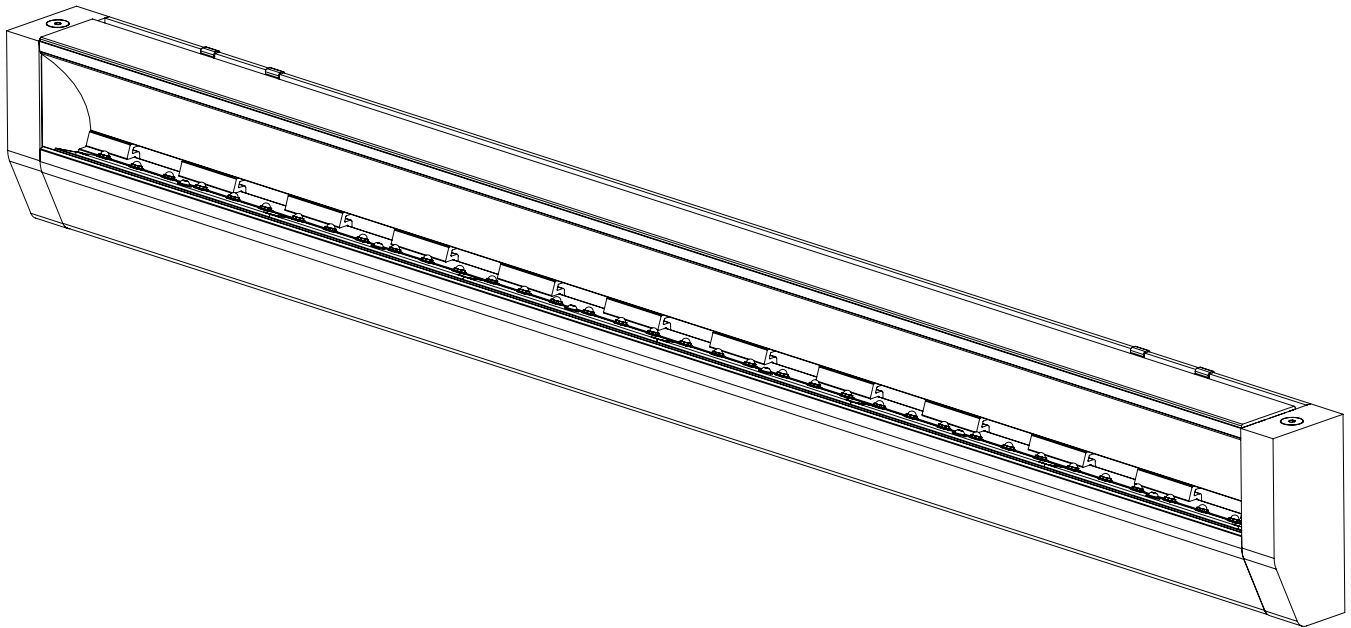
Please read all instructions prior to installation and keep for future reference!

1. PRODUCT TO BE INSTALLED BY A QUALIFIED ELECTRICIAN
2. USE WITH COMPATIBLE CLASS 2 OR CLASS P POWER UNIT
3. 120/277V AC FOR INTEGRAL MODELS
4. SUITABLE FOR DAMP LOCATIONS
5. SURFACE MOUNT ONLY
6. SUITABLE FOR WALL MOUNT ONLY
7. GERMICIDAL PRODUCT EMITS UVC RADIANCE.
TURN POWER OFF AND WEAR PROTECTIVE GEAR.

1 / 4

Required Personal Protection Equipment!

Please make sure all skin is covered by clothing when working with UVC Lighting. Clothing, such as a lab coat and/or protective sleeves should be polyester, nylon or cotton and should be worn. In addition, an ANSI Z87.1/CSA Z94.3 face shield and nitrile disposable gloves are minimum requirements.



Aer-W Remote Power Supply

REFERENCE MATERIAL

APPLICATION GUIDELINES



COMMISSIONING PROCEDURE



SAFETY GUIDELINES



AER-W, Remote Power Supply - Installation Instructions

Models AER-W-XX-R



7777 Merrimac Ave
Niles, IL 60714
T 224.333.6033
F 224.757.7557
info@luminii.com
www.luminii.com

REV.4.1
06022021

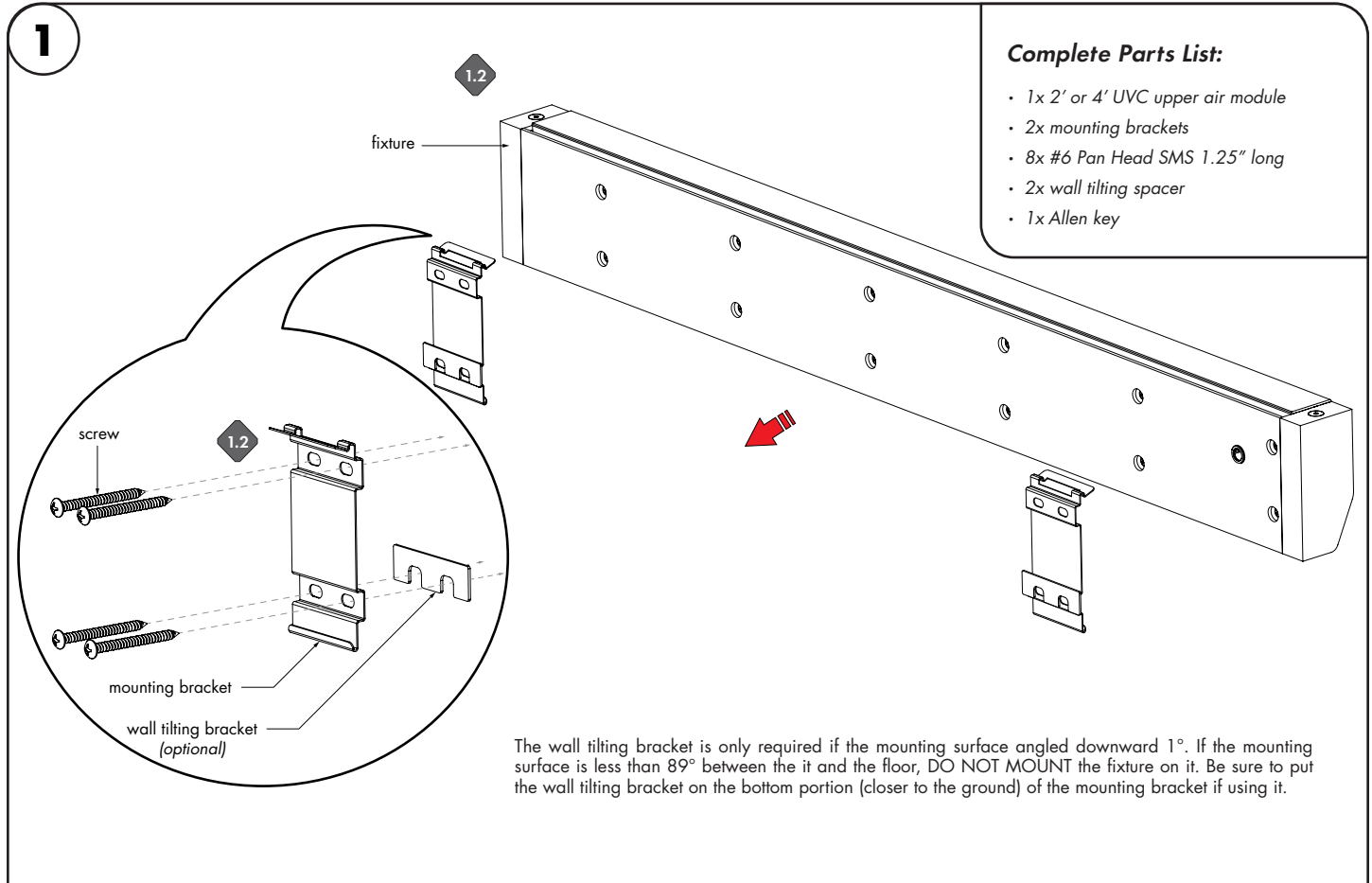
2 / 4

Please read all instructions prior to installation and keep for future reference!

1. PRODUCT TO BE INSTALLED BY A QUALIFIED ELECTRICIAN
2. USE WITH COMPATIBLE CLASS 2 OR CLASS P POWER UNIT
3. 120/277V AC FOR INTEGRAL MODELS
4. SUITABLE FOR DAMP LOCATIONS
5. SURFACE MOUNT ONLY
6. SUITABLE FOR WALL MOUNT ONLY
7. GERMICIDAL PRODUCT EMITS UVC RADIANCE. TURN POWER OFF AND WEAR PROTECTIVE GEAR.

Complete Parts List:

- 1x 2' or 4' UVC upper air module
- 2x mounting brackets
- 8x #6 Pan Head SMS 1.25" long
- 2x wall tilting spacer
- 1x Allen key



NOTE: Be sure to not damage blue protective film when removing the fixture from the packaging.

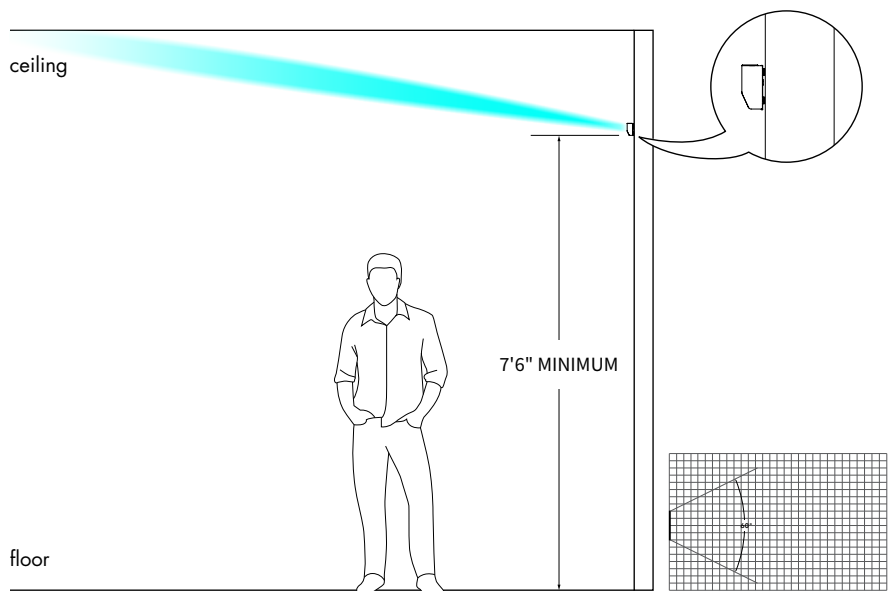
NOTE: Using a level, install the fixture at a minimum of 7'-6" above the floor. Consider elevating the mounting height when necessary. Make sure mounting wall is flat, the fixture shall not be rotated or tilted at any angle.

NOTE: Prior to installing the fixture, power wires must be present near fixture installation. For additional details reference the conduit dimensions details.

NOTE: We recommend to install AER on an independent switchable circuit.

NOTE: To optimize effectiveness of AER, avoid installing it in locations where ceiling hanging objects could obstruct beam path.

- 1.1 Determine the location of where the fixture(s) will be installed. Lay the fixture(s) on the surface, and make any necessary reference marks for the mounting bracket. Mark 4" from each end of the fixture.
- 1.2 Lay the mounting bracket onto the reference mark points, slide the wall tilting brackets up to the screw then tighten screws to secure to the wall using the provided hardware. The fixture should now be tilted upwards towards the ceiling slightly.



AER-W, Remote Power Supply - Installation Instructions

Models AER-W-XX-R



7777 Merrimac Ave
Niles, IL 60714
T 224.333.6033
F 224.757.7557
info@luminii.com
www.luminii.com

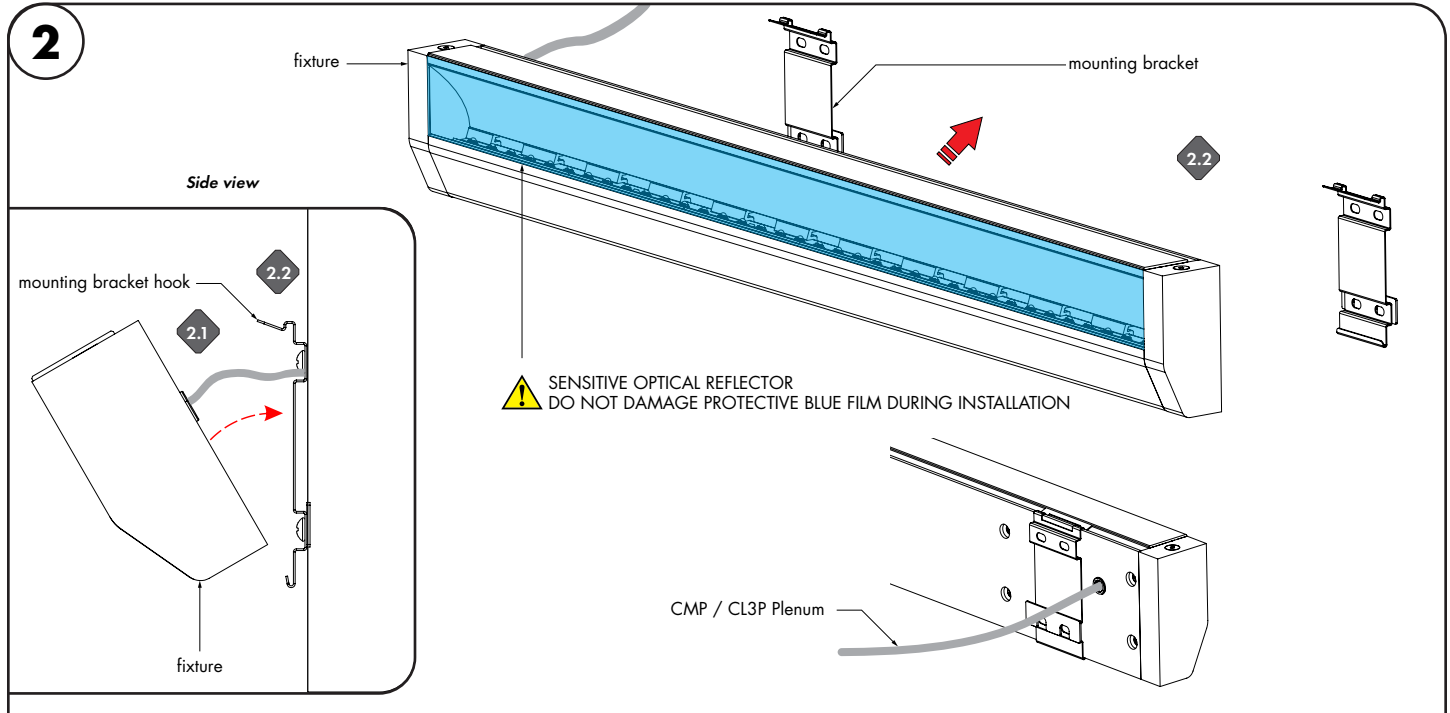
REV.4.1

06022021

3 / 4

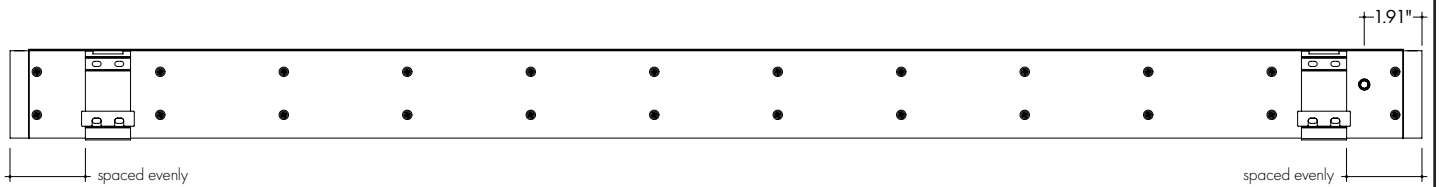
Please read all instructions prior to installation and keep for future reference!

1. PRODUCT TO BE INSTALLED BY A QUALIFIED ELECTRICIAN
2. USE WITH COMPATIBLE CLASS 2 OR CLASS P POWER UNIT
3. 120/277V AC FOR INTEGRAL MODELS
4. SUITABLE FOR DAMP LOCATIONS
5. SURFACE MOUNT ONLY
6. SUITABLE FOR WALL MOUNT ONLY
7. GERMICIDAL PRODUCT EMITS UVC RADIANCE. TURN POWER OFF AND WEAR PROTECTIVE GEAR.

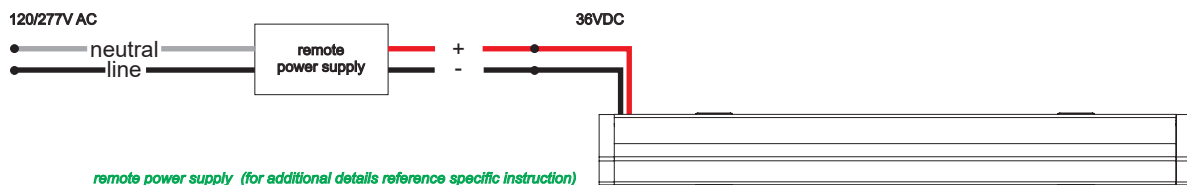


- 2.1 Connect the low voltage wires to the remote power supply following national & local electrical codes. For more information reference wiring diagram below.
- 2.2 Align the fixture to the mounting brackets, by first hooking in the bottom portion of fixture into the mounting bracket. Followed by rotating the fixture completely into the bracket to secure.

Spaced evenly apart.
Install over wall backing/framing if possible.
If not possible, use hollow wall anchors (not provided) in all areas.



Typical - Wiring Diagram



AER-W, Remote Power Supply - Installation Instructions

Models AER-W-XX-R

Please read all instructions prior to installation and keep for future reference!

1. PRODUCT TO BE INSTALLED BY A QUALIFIED ELECTRICIAN
2. USE WITH COMPATIBLE CLASS 2 OR CLASS P POWER UNIT
3. 120/277V AC FOR INTEGRAL MODELS
4. SUITABLE FOR DAMP LOCATIONS
5. SURFACE MOUNT ONLY
6. SUITABLE FOR WALL MOUNT ONLY
7. GERMICIDAL PRODUCT EMITS UVC RADIANCE. TURN POWER OFF AND WEAR PROTECTIVE GEAR.



REV. 4.1
06022021

4 / 4



7777 Merrimac Ave
Niles, IL 60714
T 224.333.6033
F 224.757.7557
info@luminii.com
www.luminii.com

Maintenance - Typical Maintenance

