

AER-W, Integral Power Supply - Installation Instructions

Models AER-W-XX-INT



REV. 4.1
06022021

1 / 4



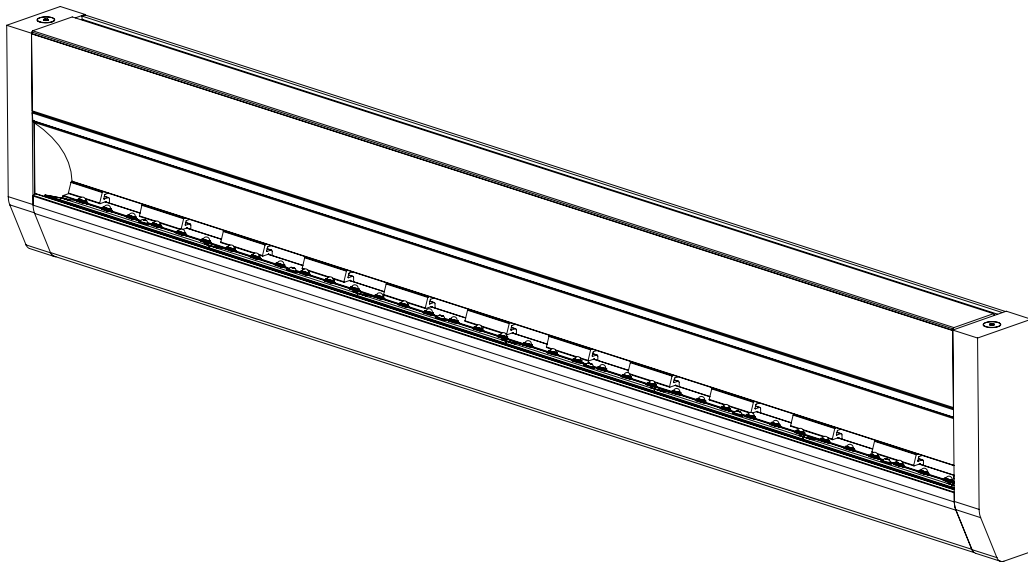
7777 Merrimac Ave
Niles, IL 60714
T 224.333.6033
F 224.757.7557
info@luminii.com
www.luminii.com

Please read all instructions prior to installation and keep for future reference!

1. PRODUCT TO BE INSTALLED BY A QUALIFIED ELECTRICIAN
2. USE WITH COMPATIBLE CLASS 2 OR CLASS P POWER UNIT
3. 120/277V AC FOR INTEGRAL MODELS
4. SUITABLE FOR DAMP LOCATIONS
5. SURFACE MOUNT ONLY
6. SUITABLE FOR WALL MOUNT ONLY
7. GERMICIDAL PRODUCT EMITS UVC RADIANCE.
TURN POWER OFF AND WEAR PROTECTIVE GEAR.

Required Personal Protection Equipment!

Please make sure all skin is covered by clothing when working with UVC Lighting. Clothing, such as a lab coat and/or protective sleeves should be polyester, nylon or cotton and should be worn. In addition, an ANSI Z87.1/CSA Z94.3 face shield and nitrile disposable gloves are minimum requirements.



Aer-W Integral Power Supply

REFERENCE MATERIAL

APPLICATION GUIDELINES



COMMISSIONING PROCEDURE



SAFETY GUIDELINES



AER-W, Integral Power Supply - Installation Instructions

Models AER-W-XX-INT



7777 Merrimac Ave
Niles, IL 60714
T 224.333.6033
F 224.757.7557
info@luminii.com
www.luminii.com

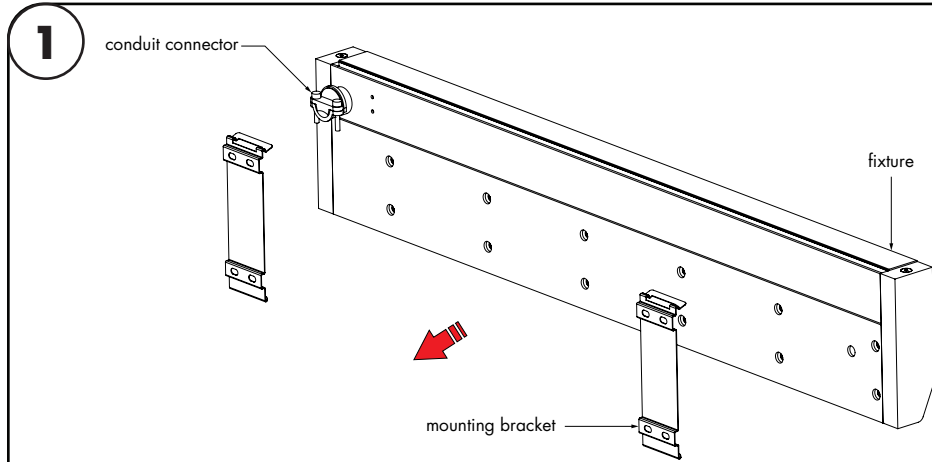
REV4.1

06022021

2 / 4

Please read all instructions prior to installation and keep for future reference!

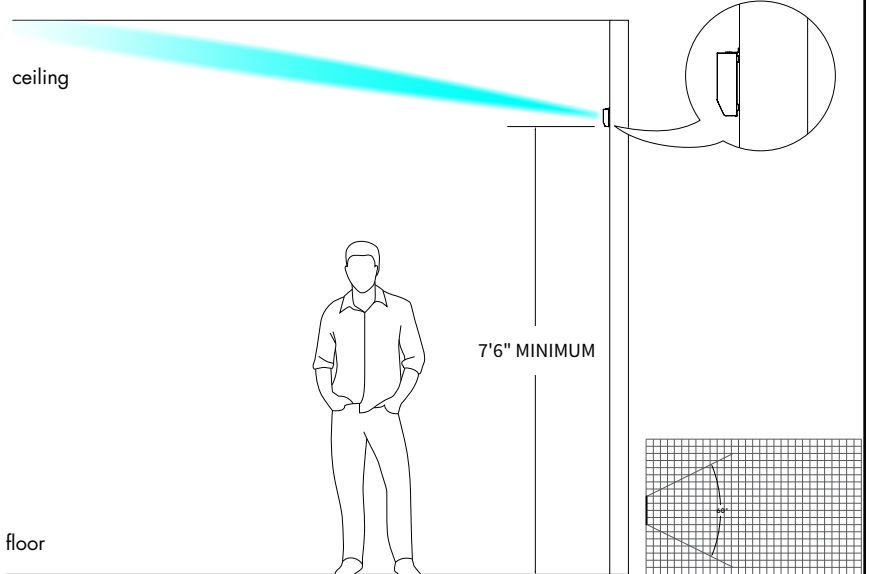
1. PRODUCT TO BE INSTALLED BY A QUALIFIED ELECTRICIAN
2. USE WITH COMPATIBLE CLASS 2 OR CLASS P POWER UNIT
3. 120/277V AC FOR INTEGRAL MODELS
4. SUITABLE FOR DAMP LOCATIONS
5. SURFACE MOUNT ONLY
6. SUITABLE FOR WALL MOUNT ONLY
7. GERMICIDAL PRODUCT EMITS UVC RADIANCE. TURN POWER OFF AND WEAR PROTECTIVE GEAR.



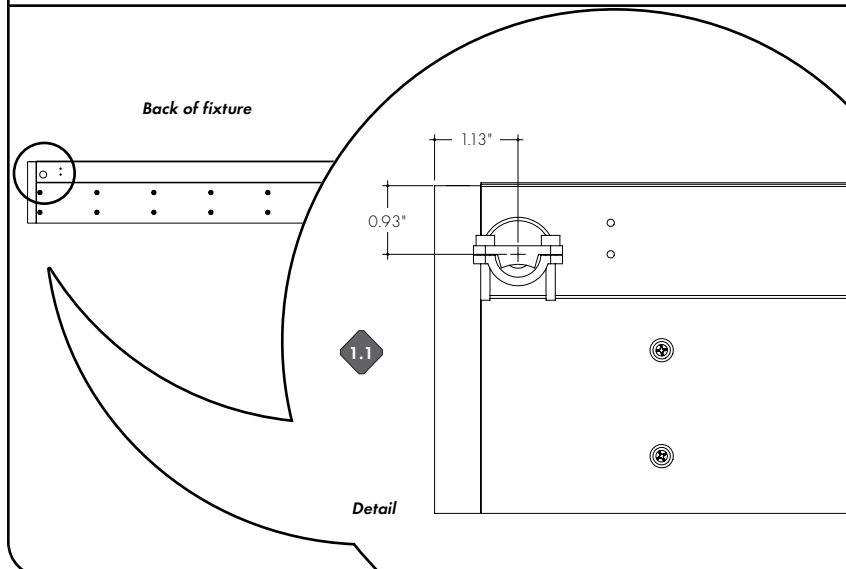
Complete Parts List:

- 1x 2' or 4' UVC upper air module
- conduit connector (trade size 3/8")
- 2x mounting brackets
- 8x #6 Pan Head SMS 1.25" long
- 2x wall tilting spacer
- 1x Allen key

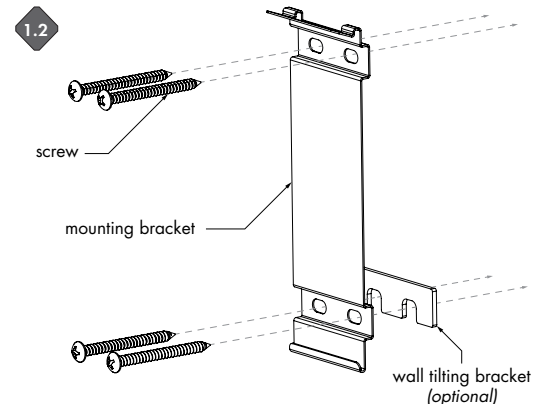
- NOTE:** Be sure to not damage blue protective film when removing the fixture from the packaging.
- NOTE:** Using a level, install the fixture at a minimum of 7'-6" above the floor. Consider elevating the mounting height when necessary. Make sure mounting wall is flat, the fixture shall not be rotated or tilted at any angle.
- NOTE:** Prior to installing the fixture, power wires must be present near fixture installation. For additional details reference the conduit dimensions details.
- NOTE:** We recommend that AER is installed on an independent switchable circuit.
- NOTE:** To optimize effectiveness of AER, avoid installing it in locations where ceiling hanging objects could obstruct its beam path.



- 1.1 Determine the location of where the fixture(s) will be installed. Lay the fixture(s) on the surface, and make any necessary reference marks for the mounting bracket.
- 1.2 Lay the mounting bracket onto the reference mark points, slide the wall tilting brackets up to the screw then tighten screws to secure to the wall using the provided hardware.



The wall tilting bracket is only required if the mounting surface angled downward 1°. If the mounting surface is less than 89° between the it and the floor, DO NOT MOUNT the fixture on it. Be sure to put the wall tilting bracket on the bottom portion (closer to the ground) of the mounting bracket if using it.



AER-W, Integral Power Supply - Installation Instructions

Models AER-W-XX-INT



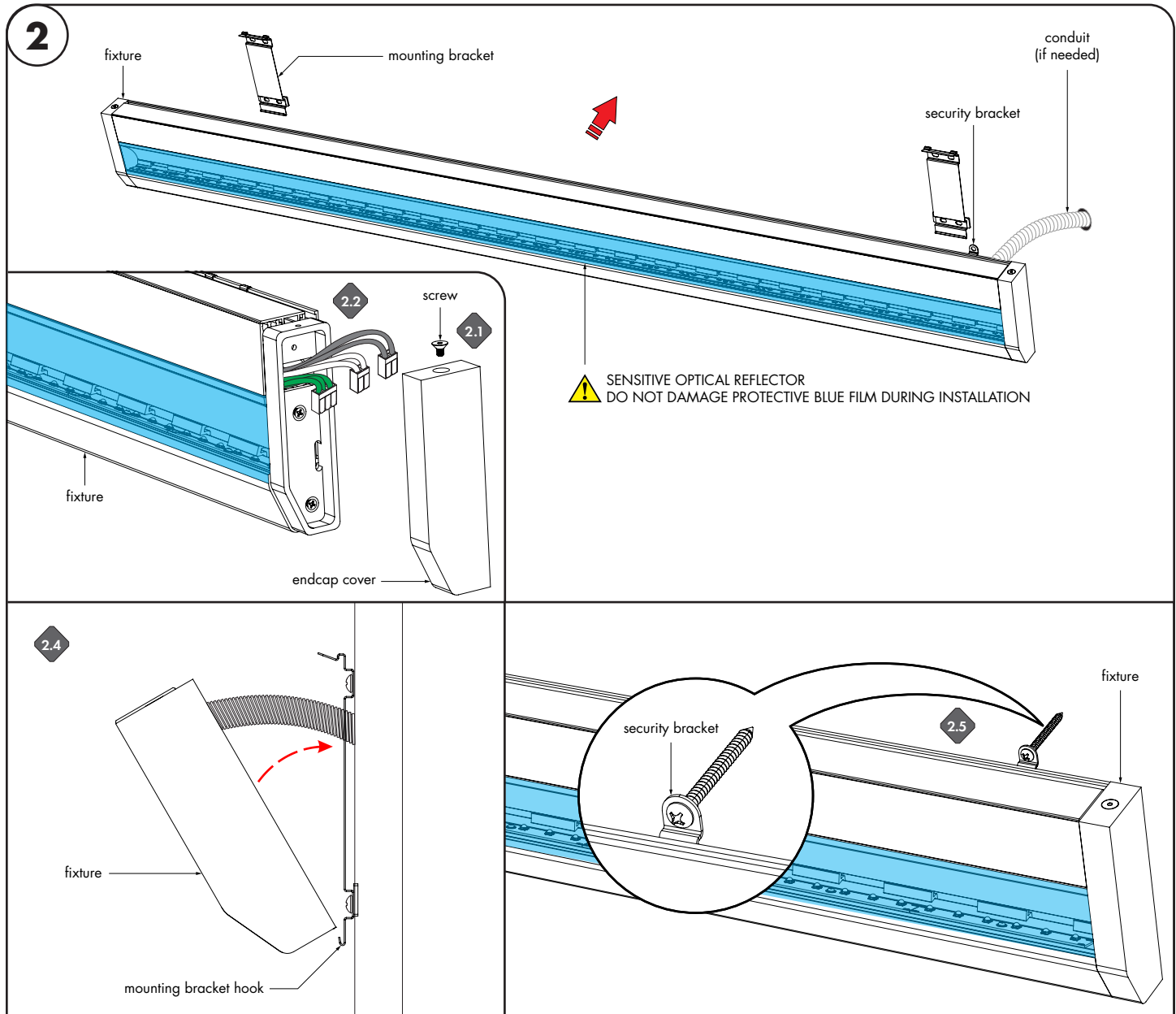
7777 Merrimac Ave
Niles, IL 60714
T 224.333.6033
F 224.757.7557
info@luminii.com
www.luminii.com

REV.4.1
06022021

3 / 4

Please read all instructions prior to installation and keep for future reference!

1. PRODUCT TO BE INSTALLED BY A QUALIFIED ELECTRICIAN
2. USE WITH COMPATIBLE CLASS 2 OR CLASS P POWER UNIT
3. 120/277V AC FOR INTEGRAL MODELS
4. SUITABLE FOR DAMP LOCATIONS
5. SURFACE MOUNT ONLY
6. SUITABLE FOR WALL MOUNT ONLY
7. GERMICIDAL PRODUCT EMITS UVC RADIANCE. TURN POWER OFF AND WEAR PROTECTIVE GEAR.



- 2.1 Locate the side of the fixture with the conduit entry point. The endcap on this side will need to be removed to access the wiring connection. Start by removing the top screw from the endcap cover, then pull cover off.
- 2.2 Connect the 120–277V AC conduit to the fixture housing with the provided conduit connector. Make all the connections in accordance with national & local electrical codes. Make sure to put wires and connections back in to the housing. For more information reference wiring diagram on page 5.
- 2.3 Secure endcap cover back onto the housing.
- 2.4 Align the fixture to the mounting brackets, by first hooking in the bottom portion of fixture into the mounting bracket. Followed by rotating the fixture completely into the bracket.
- 2.5 Make sure to properly install the security bracket, near the electrical connection. This bracket is intended to hold the fixture on the wall in case it gets pulled off of the mounting brackets.

AER-W, Integral Power Supply - Installation Instructions

Models AER-W-XX-INT



7777 Merrimac Ave
Niles, IL 60714
T 224.333.6033
F 224.757.7557
info@luminii.com
www.luminii.com

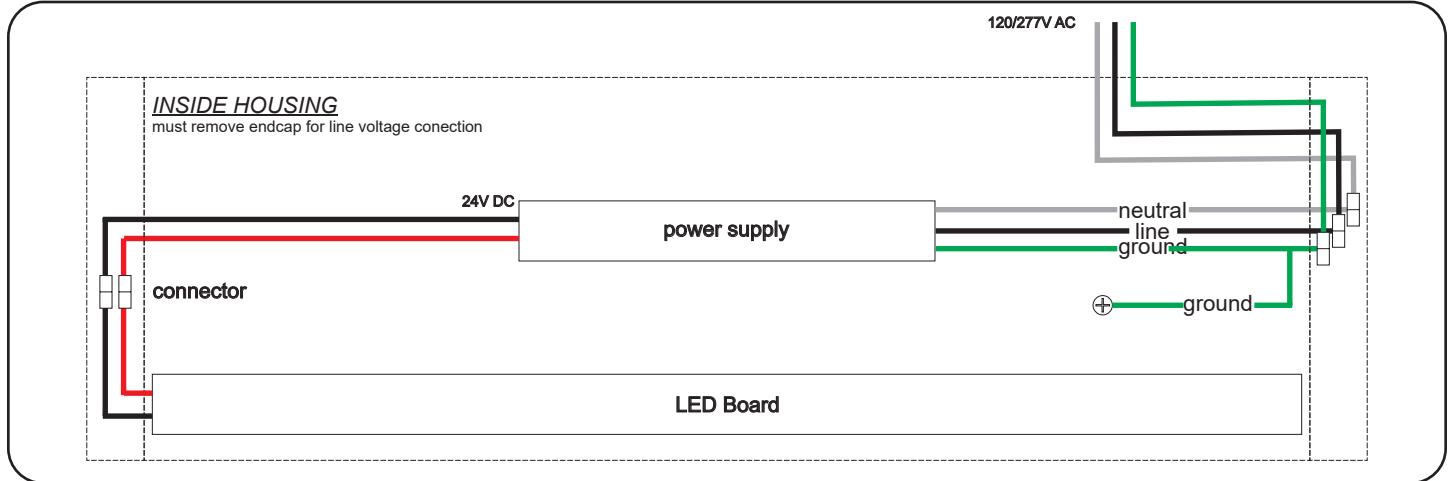
Please read all instructions prior to installation and keep for future reference!

1. PRODUCT TO BE INSTALLED BY A QUALIFIED ELECTRICIAN
2. USE WITH COMPATIBLE CLASS 2 OR CLASS P POWER UNIT
3. 120/277V AC FOR INTEGRAL MODELS
4. SUITABLE FOR DAMP LOCATIONS
5. SURFACE MOUNT ONLY
6. SUITABLE FOR WALL MOUNT ONLY
7. GERMICIDAL PRODUCT EMITS UVC RADIANCE. TURN POWER OFF AND WEAR PROTECTIVE GEAR.

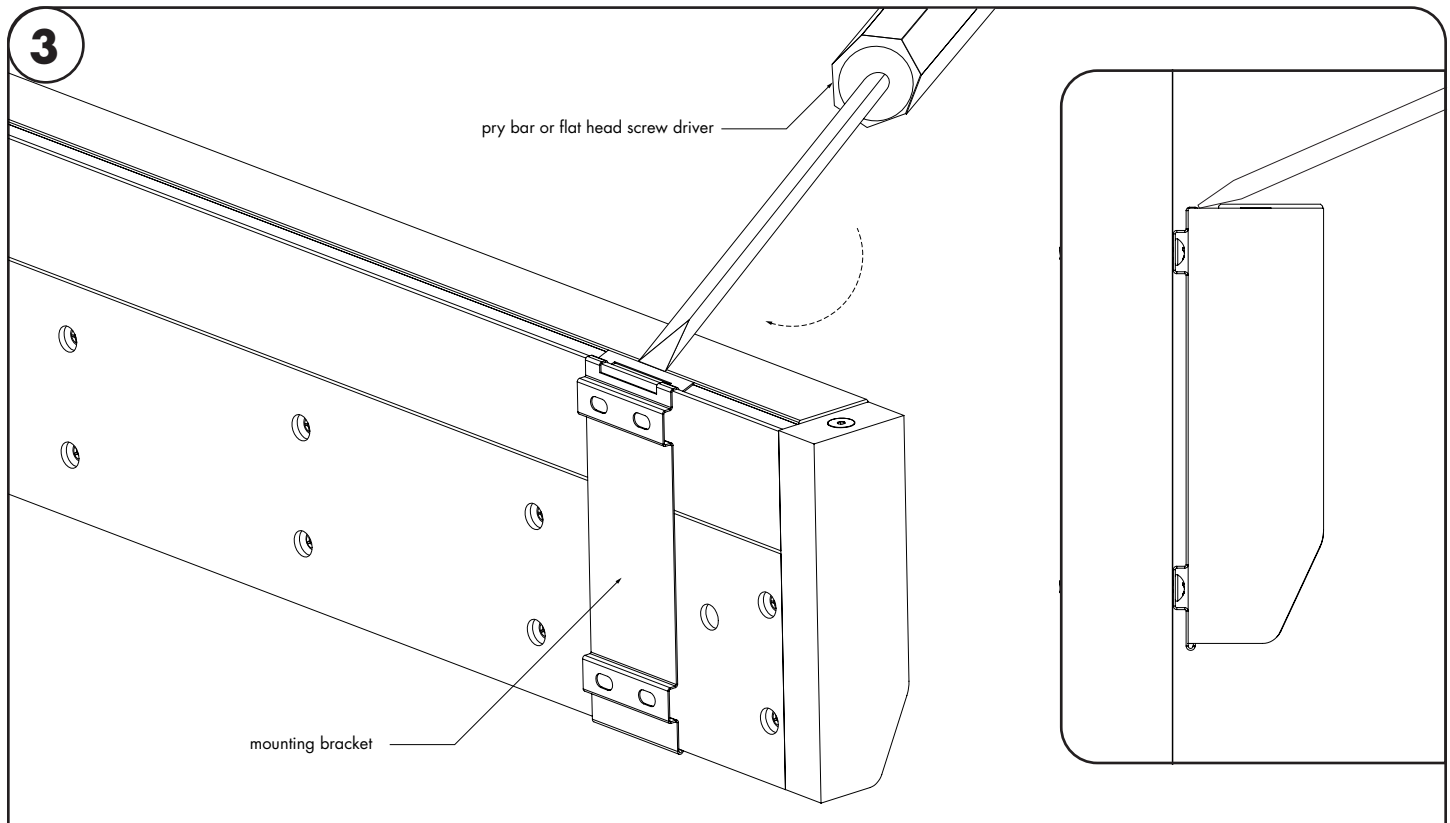
REV4.1
06022021

4 / 4

Typical - Wiring Diagram



Maintenance - Typical Maintenance



3.1 To remove mounting brackets from fixture, use pry bar to wedge between fixture and mounting bracket and pry loose.